

HAUFMANN

STANDARD CAST IRON BOILER KLIMA

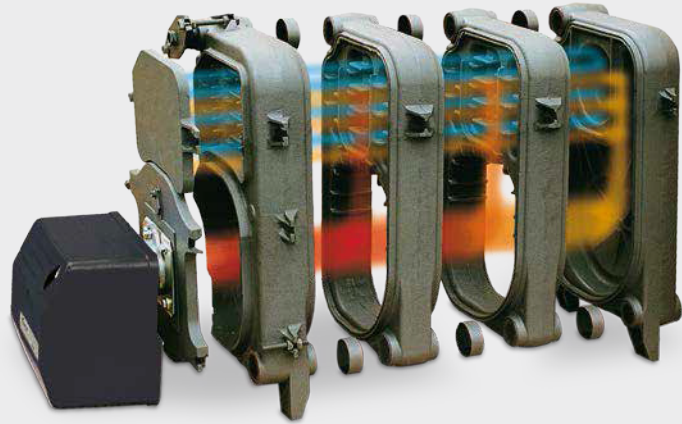


Standard Boilers
Power range from 30 to 80 KW
Power Range From 30 KW To 80 KW

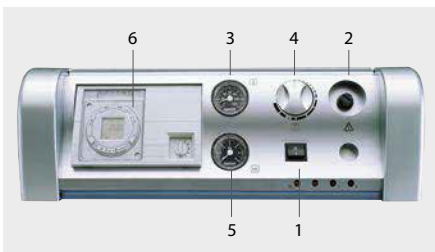


HAUFMANN

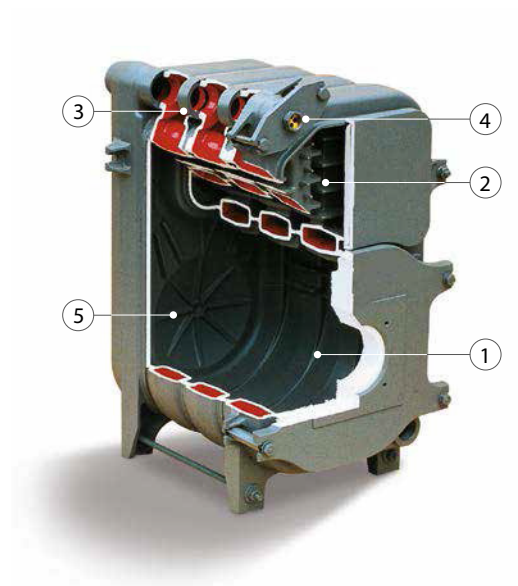
Large Heat Exchange
Large Water Capacity
Tested at 10 Bar
Working Pressure 4-6 Bar



FRONT PANEL

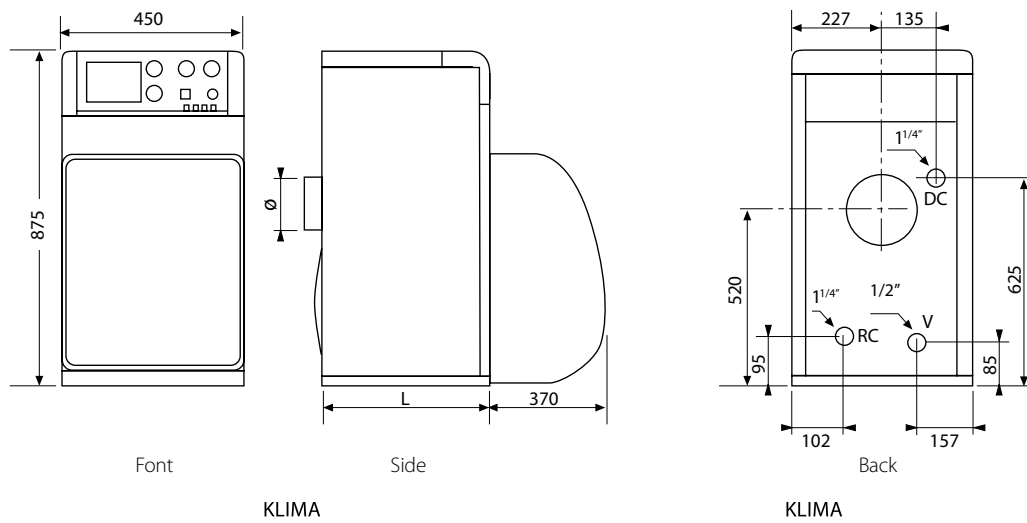


1. Main switch
2. Safety thermostat
3. Boiler thermometer
4. Boiler thermostat
5. Climate control with digital or analogic clock
6. Pressure gauge



1. Large Combustion Chamber
2. Heat Exchanger
3. Anti dilatation joint
4. Thermostat sheath
5. Curved back element with directional flaps

DIMENSION



Models	Nbre. mm	Depth L	Weight kg	Inut Power KW		Recommendation for burner options	Ø Chimney	Water content	ErP Classification
KLIMA 30	3	395	110	28,1	33,10	D3	150	17,5	B*
KLIMA 40	4	495	135	39,4	45,10	D4	150	22	
KLIMA 50	5	595	160	50,8	58,40	D4	150	28	
KLIMA 60	6	695	185	60,7	69,80	D6	175	33	
KLIMA 70	7	795	210	71,4	82,10	D6	175	38	-
KLIMA 80	8	895	235	83,3	95,79	D10	175	43	-

* Energy classification characterizes the boiler equipped with a Domusa Teknik burner as an option.



HAUFMANN ENERGY GMBH&CO

WWW.HAUFMANN-DE.COM

INSTALLATION
MANUAL

