

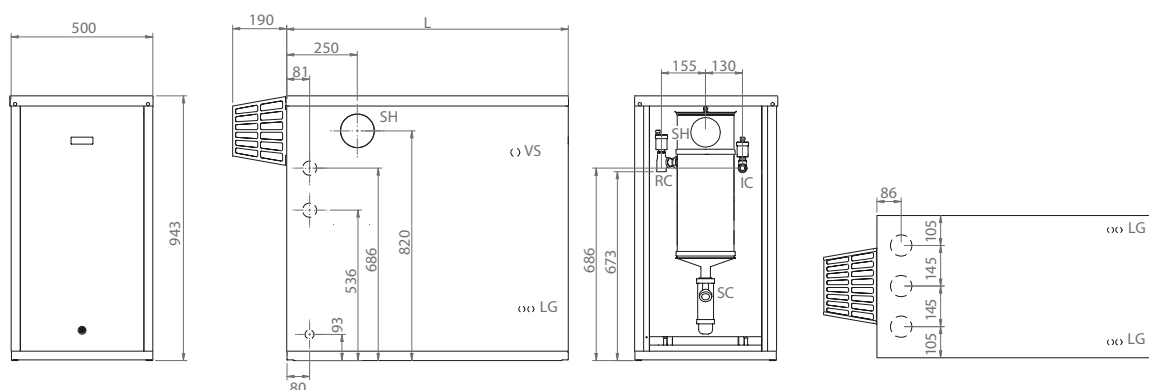
CAST IRON ROOM SEALED BOILER

KLIMA OD CONDENS OD FOR OUTDOOR INSTALLATIONS

CAST IRON ROOM SEALED BOILER

KLIMA CONDENS OD

DIMENSIONS



MODELS	IC, RC	L
KLIMA 20 CONDENS OD	4/3"H	900
KLIMA 30 CONDENS OD	4/3"H	1000
KLIMA 40 CONDENS OD	4/3"H	1100

IC: Heating outlet
 RC: Heating return
 VS: Safety relief valve outlet
 SH: Ø100 Smoke outlet.
 SC: 25 mm Condensation outlet
 LG: Oil hoses

EQUIPMENT

- Automatic air vent
- Sealed burner
- EPOXY painted watertight panels
- Cast Iron Heat Exchanger
- Condensation collector siphon
- Control panel:
 - Anti-inertia thermostat
 - Anti-freeze thermostat
 - Thermo hydrometer
 - On/off light switch
 - Safety thermostat
 - Regulation thermostat

OPTIONS

- KLIMA CONDENS OD Hydraulic kit
- Check valve
- Circulation pump
- Expansion vessel
- Safety valve
- Filling valve
- Pressure switch

Model	Heating Output kW		A
	°50C / °30C	°80C / °60C	
KLIMA OD 20 CONDENS OD	20,3	19,1	A
KLIMA OD 30 CONDENS OD	30,2	28,7	
KLIMA OD 40 CONDENS OD	40,5	38,7	